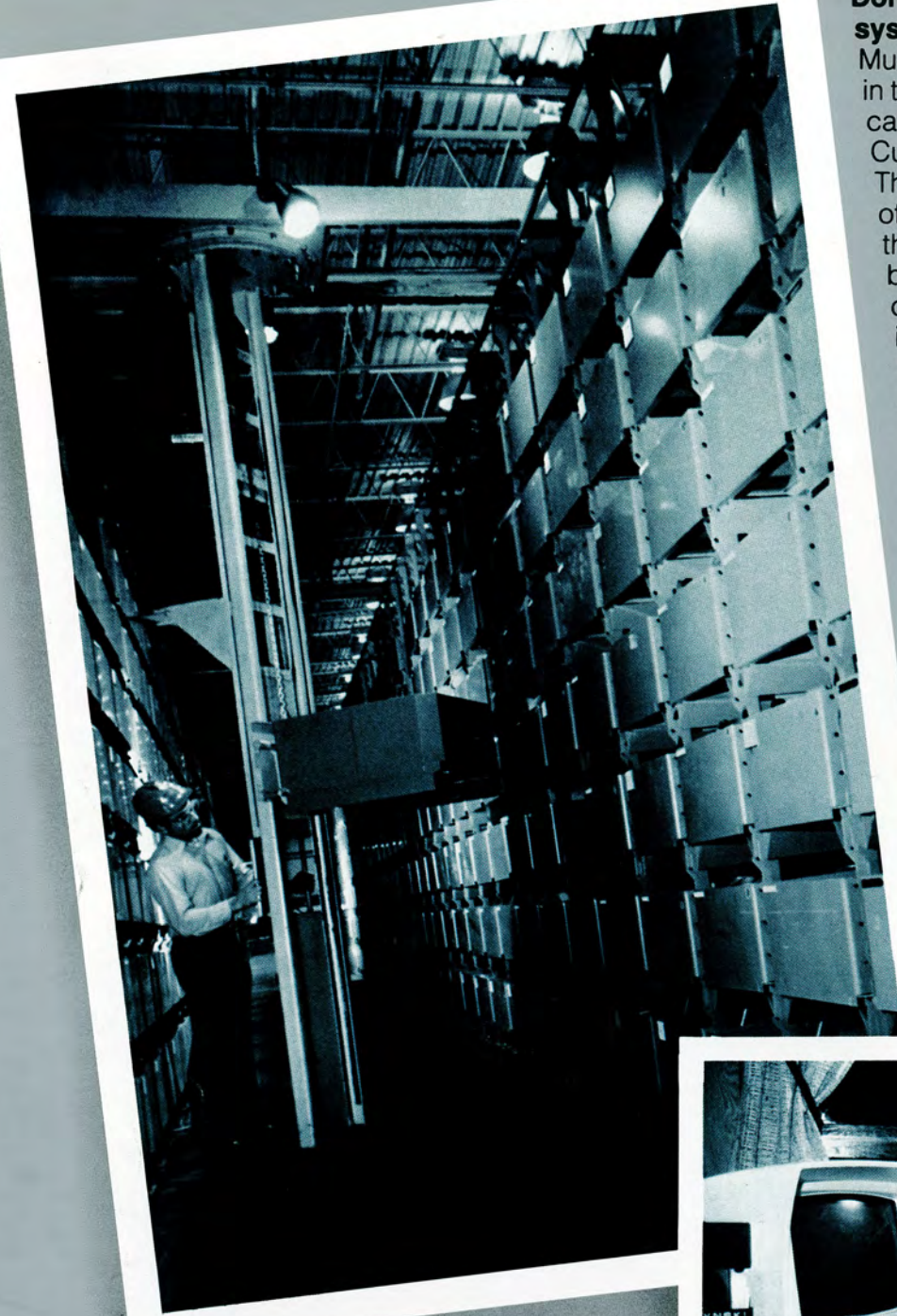


**Dorr-Oliver's computerized parts ordering system helps provide faster service.**

Much of Dorr-Oliver's pump parts service in the U.S. today is fully computerized. We call this system CROPS—an acronym for Customer Repair Order Parts System. This system not only automates the entry of most pump parts orders but locates the proper source and pushes the right buttons so the order is processed expeditiously and quickly. All of our parts inventory locations are keyed into the CROPS computer. CROPS eliminates the time involved in manual processing and is far less prone to error. Once the computer has your order entered, it can activate shipment of an inventoried part within a week, except for emergencies when the cycle can be accelerated. When an order is in process, the computer can tell us the anticipated shipping date or when it was shipped, and the name of the carrier.

The computer also helps us monitor pump inventory levels. We've built a Predetermined Inventory Level into the system. The computer warns us daily if we are running low on a particular stocked item so that we can review the situation and replenish stock as necessary.



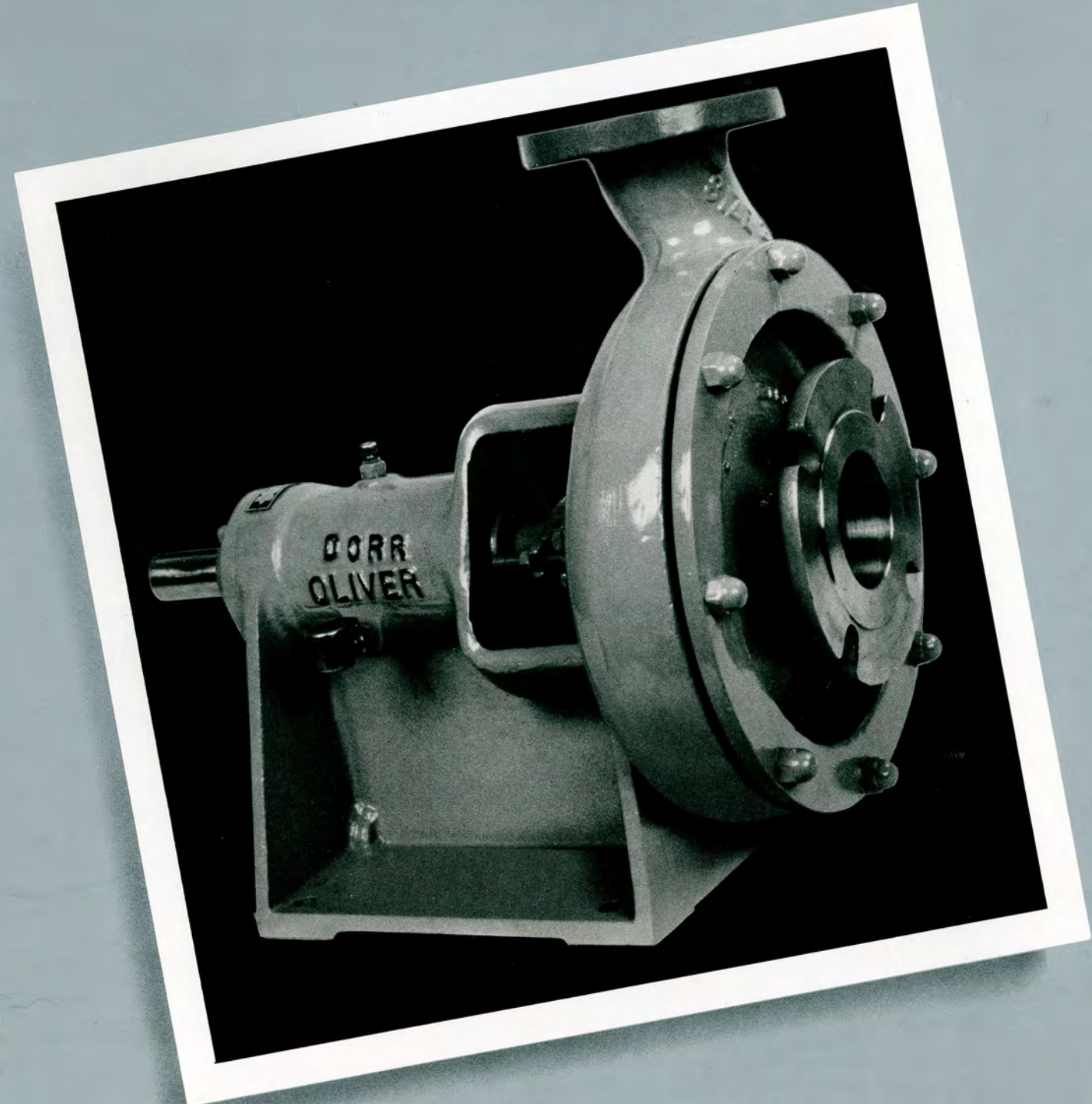
Dorr-Oliver manufacturing facility in Hazelton, Pennsylvania

**CORPORATE HEADQUARTERS**  
**DORR-OLIVER INCORPORATED**  
612 WHEELER'S FARM RD., P.O. BOX 3819  
MILFORD, CT 06460-8719 U.S.A.  
TEL: 203-876-5400 FAX: 203-876-5432

© 1988 Dorr-Oliver Incorporated

# The Dorr-Oliver Type L stainless steel centrifugal pump.

**DORR-OLIVER** 



## Dorr-Oliver stainless steel type L pump.

The superior design of Dorr-Oliver Type L pumps provides inherent simplicity, ruggedness and freedom from maintenance. Special attention has been devoted to the design of the impellers, casings, shaft, bearings, bearing support and other components. The exceptionally advantageous NPSH capability of the Dorr-Oliver Type L pumps makes them outstanding for filtrate service.

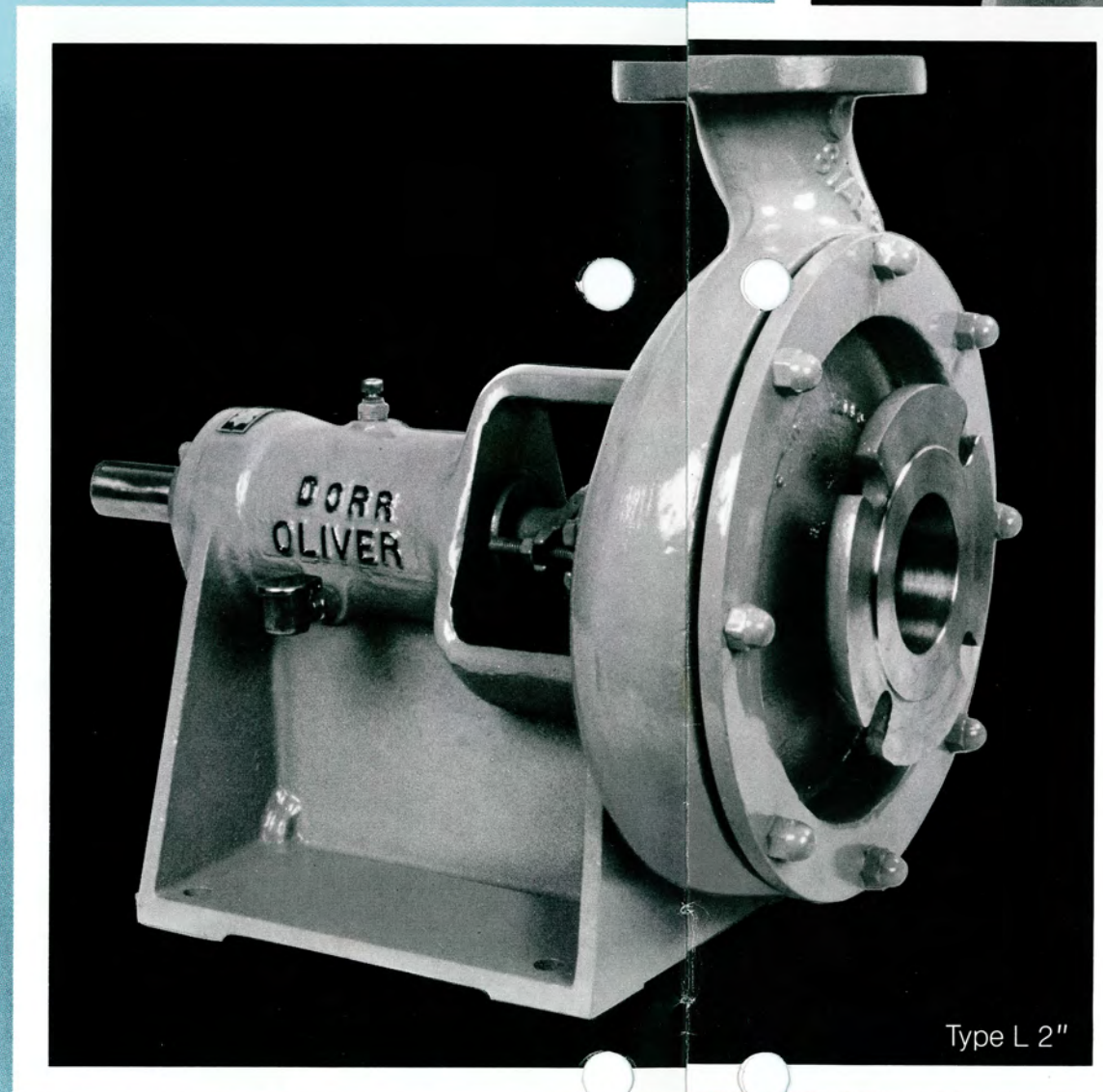
The Dorr-Oliver 316 S/S Type L series of centrifugal pumps is designed to handle flows up to 350 GPM and discharge heads up to 120 feet TDH. They are engineered for continuous or intermittent service. The 316 S/S is safe to use with food products and many chemicals.

### Features.

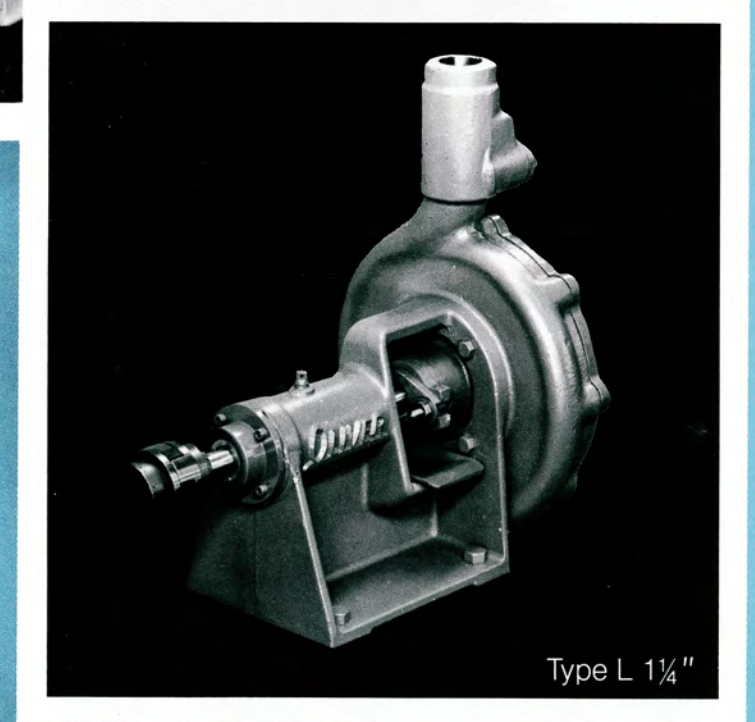
- Built for long life and trouble-free operation.
- Higher sustained efficiencies through the use of superior impeller designs and smoother waterways.
- Nationwide distribution assures local availability of pumps and factory authorized service.
- Mechanical seals or packed boxes available.
- Standard material of construction 316 stainless steel.
- Oil-lubricated ball type bearings.
- Centerline discharge piping with inlet and outlet connections in same vertical plane simplifies in-plant piping arrangements.
- One-piece cast-iron frame designed to hold plastic drip pan. Fabricated steel sub-bases are provided for direct connected drive.
- The 1 1/4" centrifugal pump is provided with threaded connections and built-in check valve or flanged without check valve.
- Type L series of centrifugal pumps is available as direct connected or optional V-Belt driven assembly.
- Mechanical seals are fitted for circulation of cooling and lubricating water or clear solution.
- All parts on 1 1/2" and 2" pumps are interchangeable except for casing, cover and impeller.



Type L 1 1/2"



Type L 2"



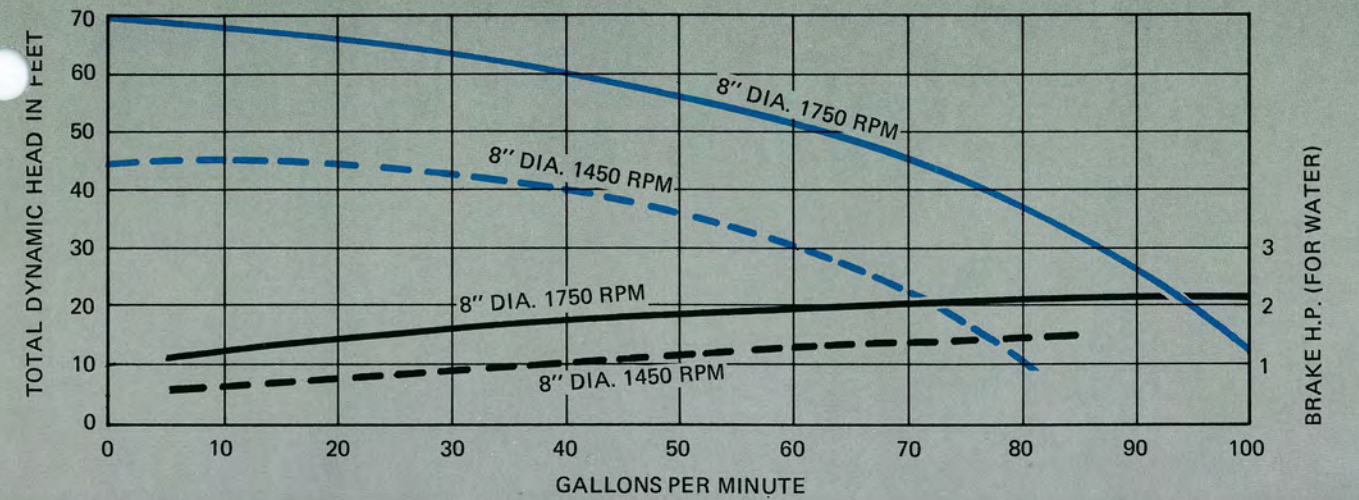
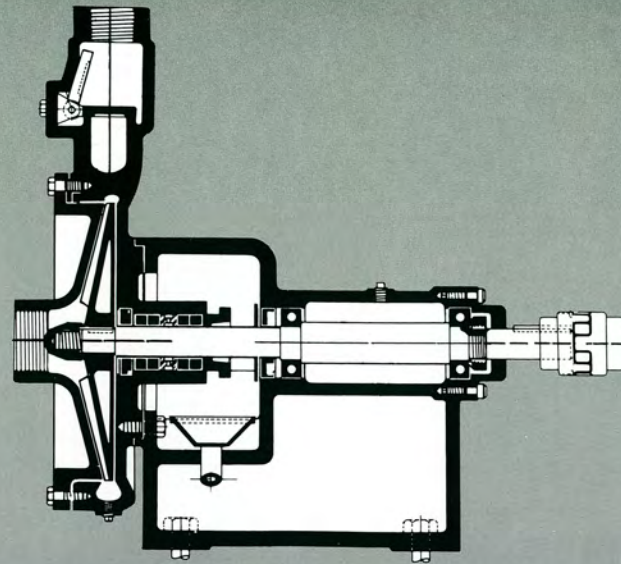
Type L 1 1/4"

## Type L 1 $\frac{1}{4}$ "

**Bearings:** Oil-lubricated, two single-row bearings.

**Connections:** Threaded connections and built-in check valve (ball type or flap type). Also available flange connected without check valve.

**Shaft:** One-piece solid shaft for all Type L pumps made of 316 stainless steel.

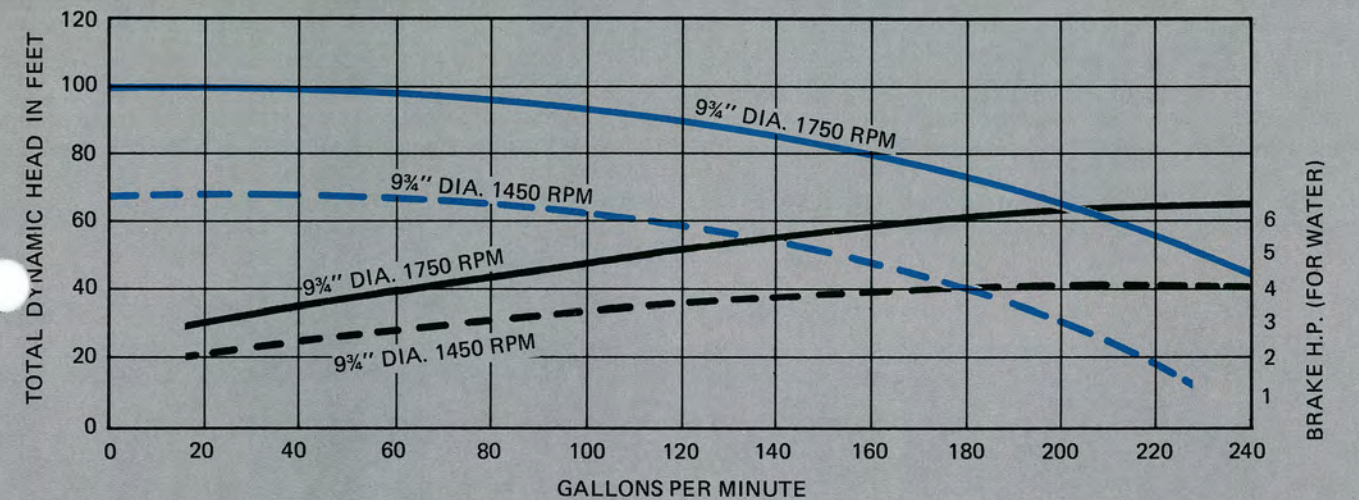
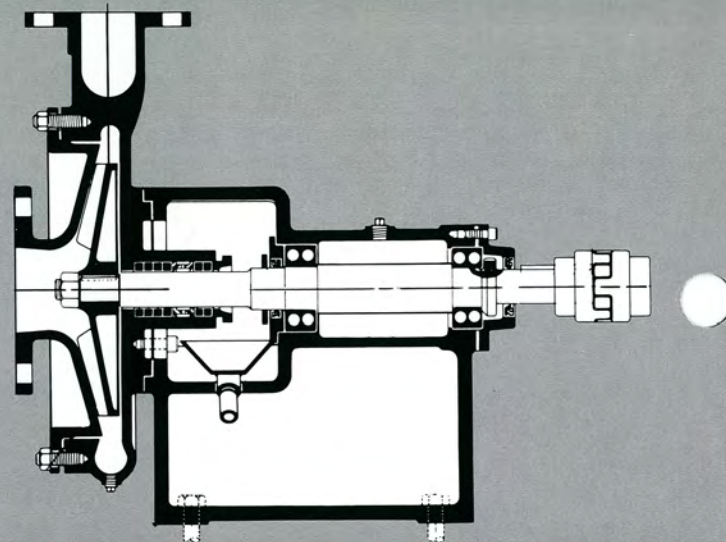


## Type L 1 $\frac{1}{2}$ "

**Bearings:** Oil-lubricated, one single-row inboard bearing and one double-row outboard bearing.

The dry ends of the 1 $\frac{1}{2}$ " x 2" and 2" x 3" pumps are identical and interchangeable.

Coupling or belt guards are standard equipment for all Type L pumps.

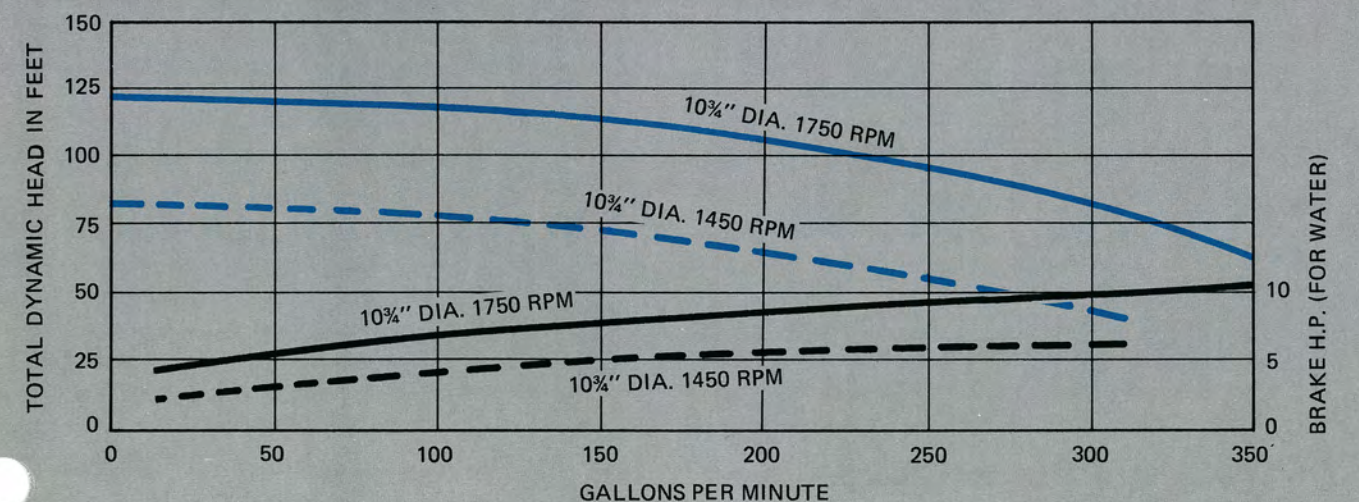
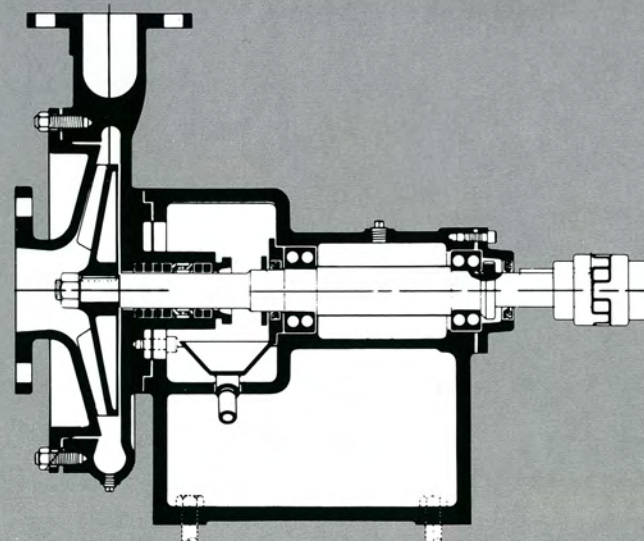


## Type L 2"

**Bearings:** Oil-lubricated, one single-row inboard bearing and one double-row outboard bearing.

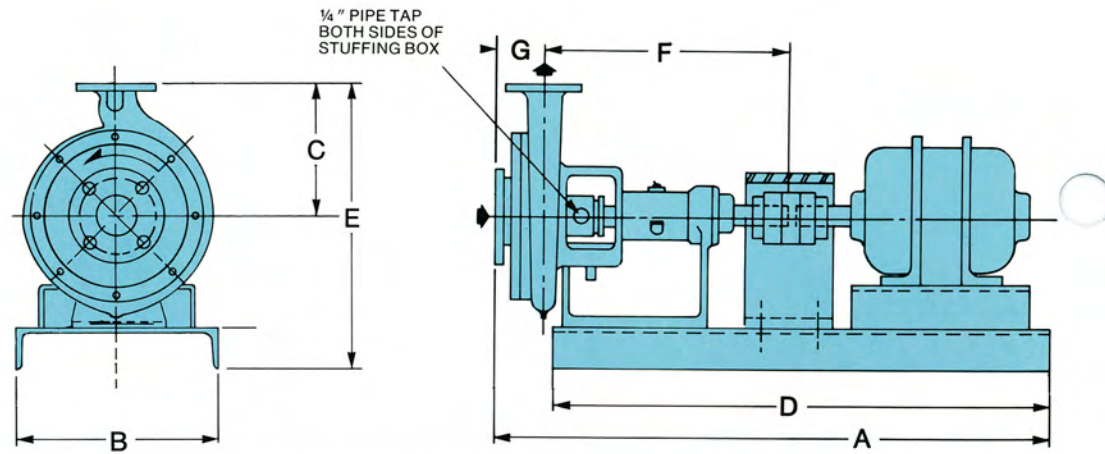
All impellers for Type L pumps are semi-open, i.e., with a shroud covering the back of the vanes.

When the pump is belt driven, the motor is slide mounted on an adjustable motor base.



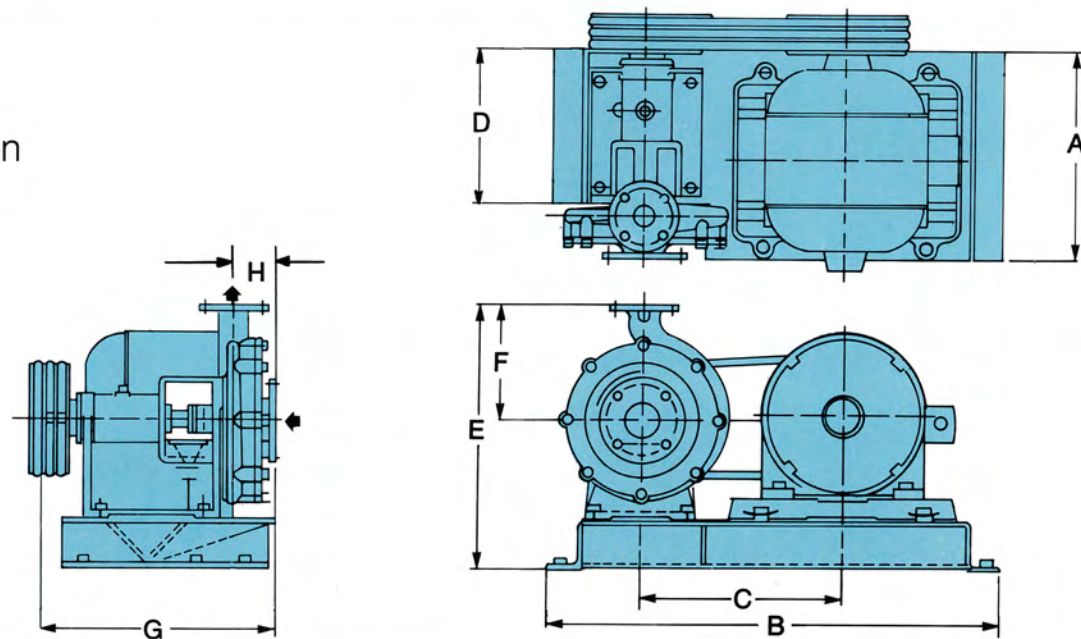
### Dimensional data

Direct connected pump



PUMP SIZE	MOTOR FRAME	A	B	C	D	E	F	G	SUCTION CONNECTION	DISCHARGE CONNECTION
1 1/4" Flanged	143T	2'-7 3/4"	12"	7 1/4"	2'-4"	16 1/4"	14 1/8"	3"	1 1/2" Flange (4) 5/8" Holes on 3 7/8" B.C.	1 1/4" Flange (4) 5/8" Holes on 3 1/2" B.C.
	145T			9 3/4"		18 3/4"				
	182T 184T			9"		17 7/8"				
1 1/4" Screwed with Check Valve	143T	2'-7 5/8"	12"	9 3/4"	2'-4"	18 3/4"	14 1/8"	2 7/8"	1 1/2" NPT (internal thread)	1 1/4" NPT (internal thread)
	145T			9"		17 7/8"				
	182T 184T			9"		17 7/8"				
1 1/2"	182T	3'-2 3/8"	12"	9"	3'-0"	20 1/2"	17 7/8"	3 1/2"	2" Flange (4) 3/4" Holes on 4 3/4" B.C.	1 1/2" Flange (4) 5/8" Holes on 3 7/8" B.C.
	184T			9"		17 7/8"				
	213T 215T			9"		17 7/8"				
2"	184T	3'-2 3/8"	12"	10"	3'-0"	21 1/2"	17 7/8"	3 1/2"	3" Flange (4) 3/4" Holes on 6" B.C.	2" Flange (4) 3/4" Holes on 4 3/4" B.C.
	213T			10"		17 7/8"				
	215T			10"		17 7/8"				
	254T	3'-6 3/8"	15"	10"	3'-4"	22"	17 7/8"	3 1/2"		
	256T									

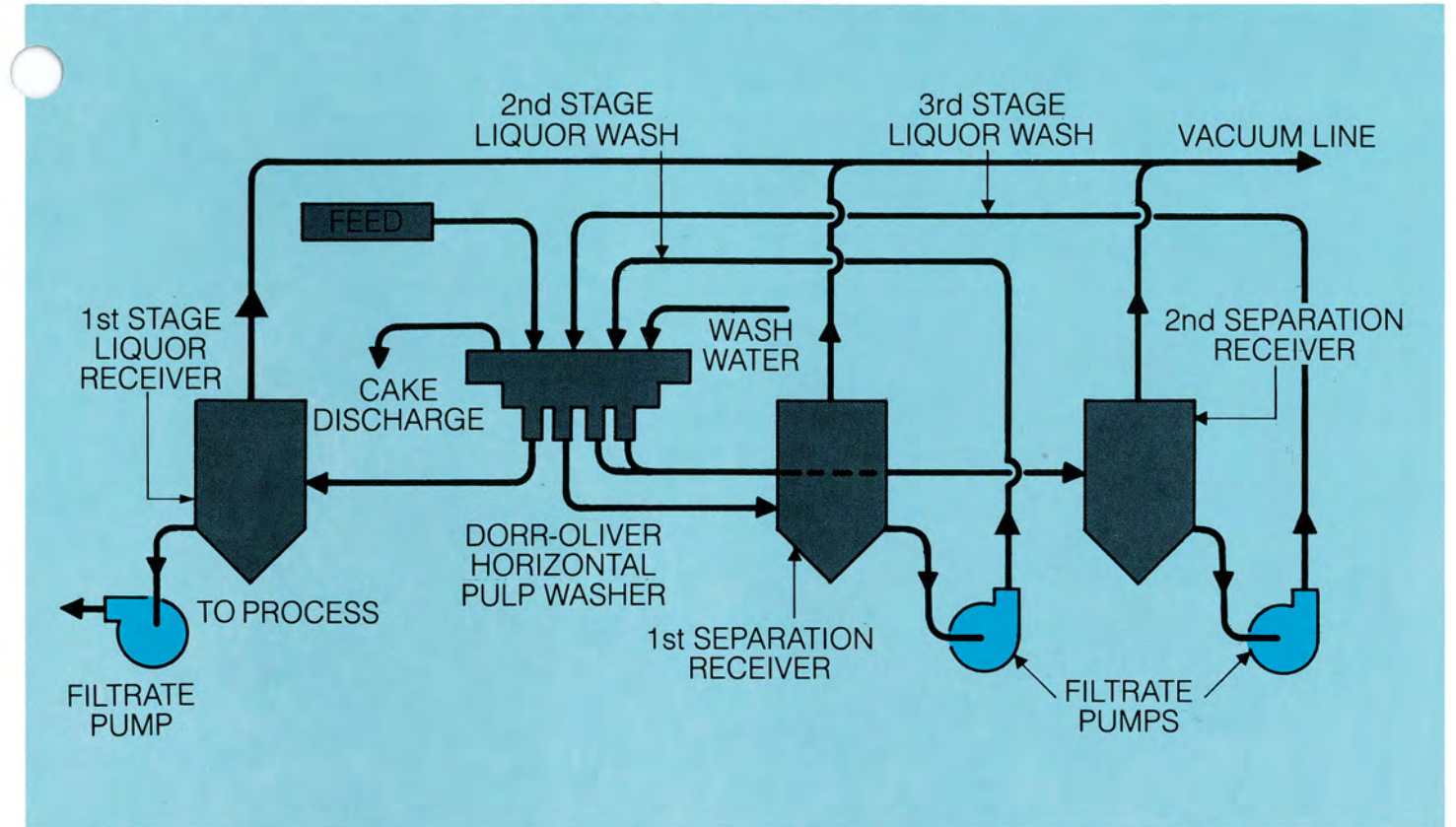
V-belt driven pump



PUMP SIZE	MOTOR FRAME NO.	A	B	C <sub>Min</sub>	C <sub>Max</sub>	D	E	F	G	H	SUCTION CONNECTION	DISCHARGE CONNECTION
1 1/4" Screwed*	182T	16 1/4"	2'-9 1/2"	12 7/8"	17 1/4"	16 1/4"	19 1/2"	9 3/4"	19 1/8"	2 7/8"	1 1/2" NPT (internal thread)	1 1/4" NPT (internal thread)
	184T-145T			12 5/8"	17 1/2"							
	213T-215T			14"	16"							
1 1/4" Flanged	182T	16 1/4"	2'-9 1/2"	12 7/8"	17 1/4"	16 1/4"	17"	7 1/4"	19 1/8"	3"	1 1/2" Flange, (4) 5/8" Holes on 3 7/8" B.C.	1 1/4" Flange, (4) 5/8" Holes on 3 1/2" B.C.
	184T-145T			12 5/8"	17 1/2"							
	213T-215T			14"	16"							
1 1/2"	182T	13 1/4"	3'-1"	13"	20 1/2"	13 1/4"	21 3/4"	9"	21 3/8"	3 1/2"	2" Flange, (4) 3/4" Holes on 4 3/4" B.C.	1 1/2" Flange, (4) 5/8" Holes on 3 7/8" B.C.
	213T-184T	13 1/4"	3'-1"	14"	19 1/2"							
	215T-254T	18"	3'-3 1/4"	16"	20 3/4"							
	256T	22 7/8"	3'-8 5/8"	17"	25"							
	256T	22 7/8"	3'-8 5/8"	17"	25"							
2"	213T-184T	13 1/4"	3'-1"	14"	19 1/2"	13 1/4"	22 3/4"	10"	21 3/8"	3 1/2"	3" Flange, (4) 3/4" Holes on 6" B.C.	2" Flange, (4) 3/4" Holes on 4 3/4" B.C.
	215T-254T	18"	3'-3 1/4"	16"	20 3/4"							
	256T-284T	22 7/8"	3'-8 5/8"	17"	25"							
	284TS-324T	22 7/8"	3'-8 5/8"	18"	23 3/4"							

\*With integral check valve.

### Centrifugal type L pumps with horizontal pulp washer



### Centrifugal type L pumps with Oliver vacuum filter

